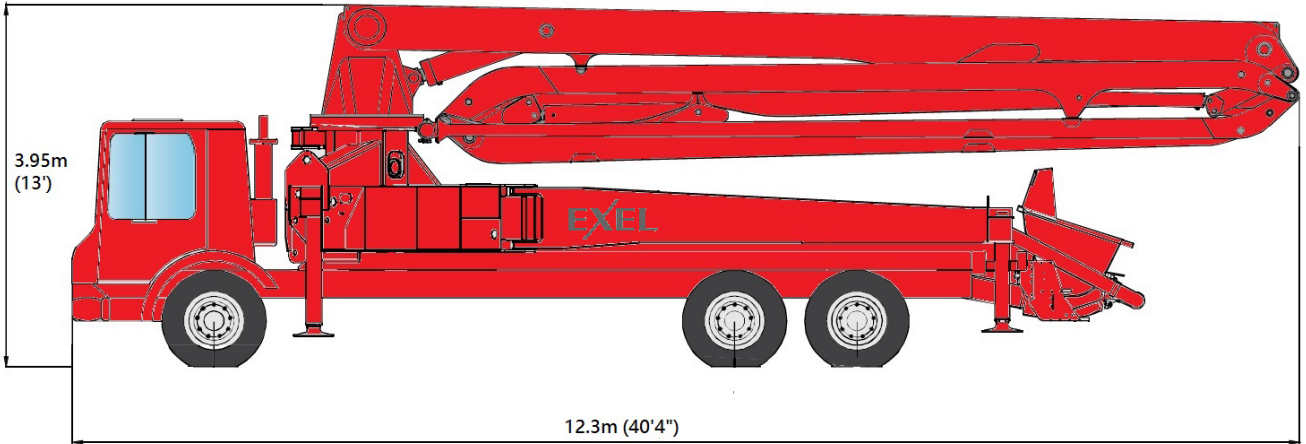
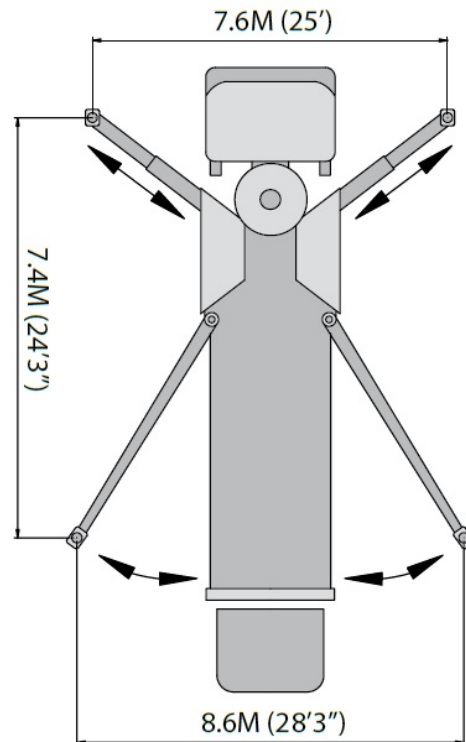
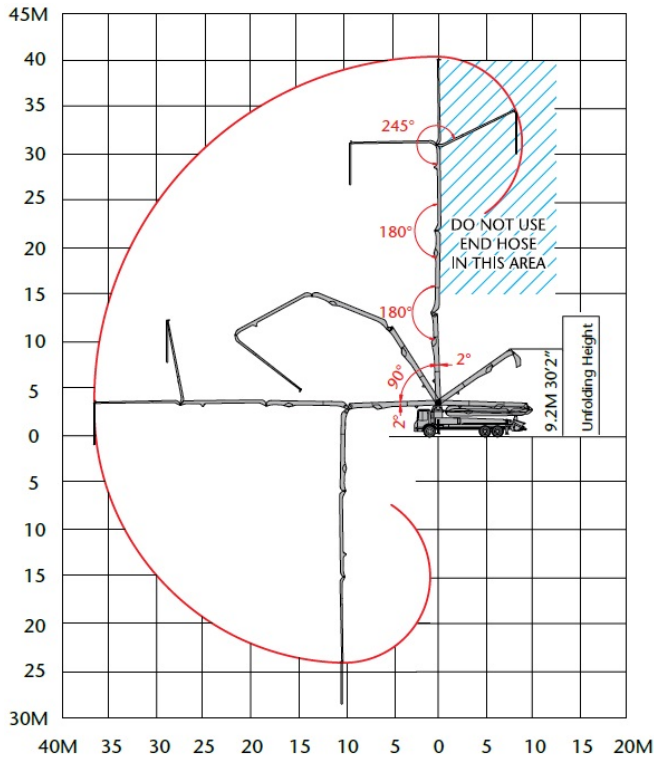


# 40 METER 4-SECTION



## 40 METER 4 SECTION - OVERALL HEIGHT AND LENGTH



## JXR 40-4.16 BOOM REACH

## JXR 40-4.16 OUTRIGGER SPECS